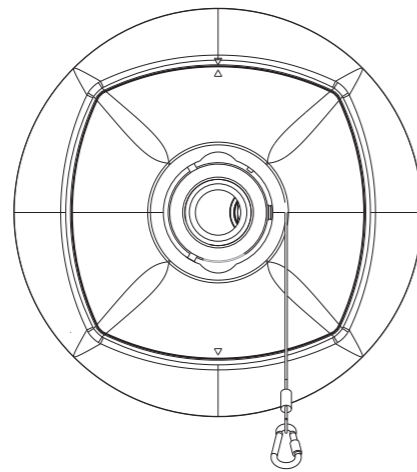
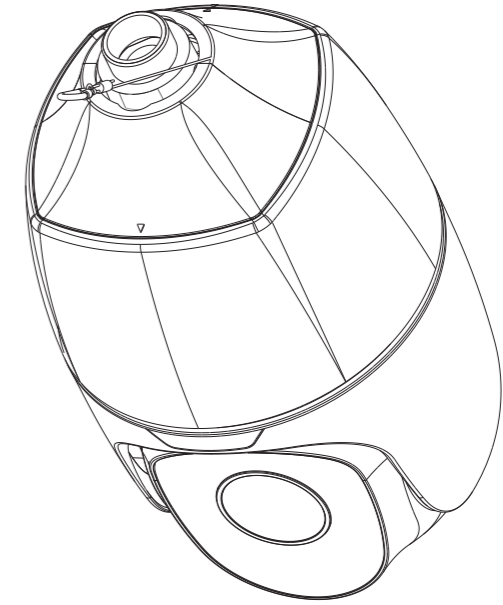
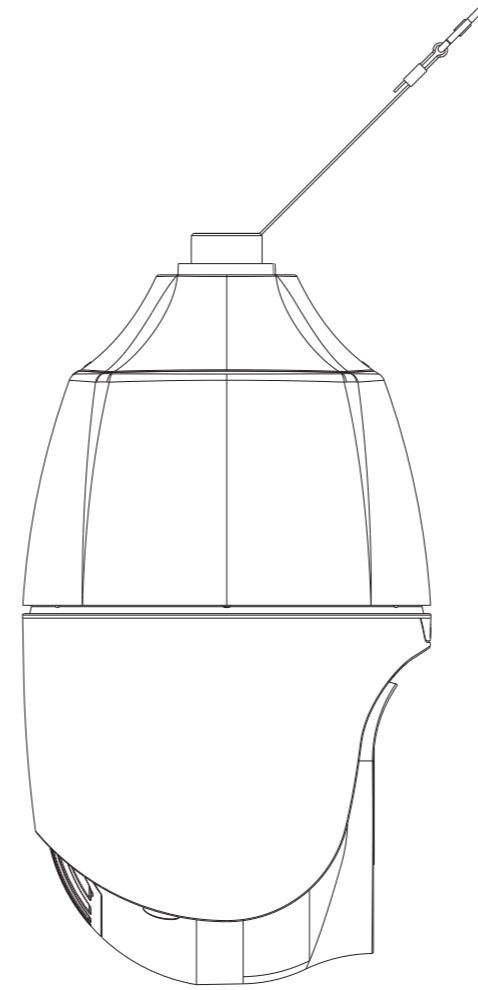
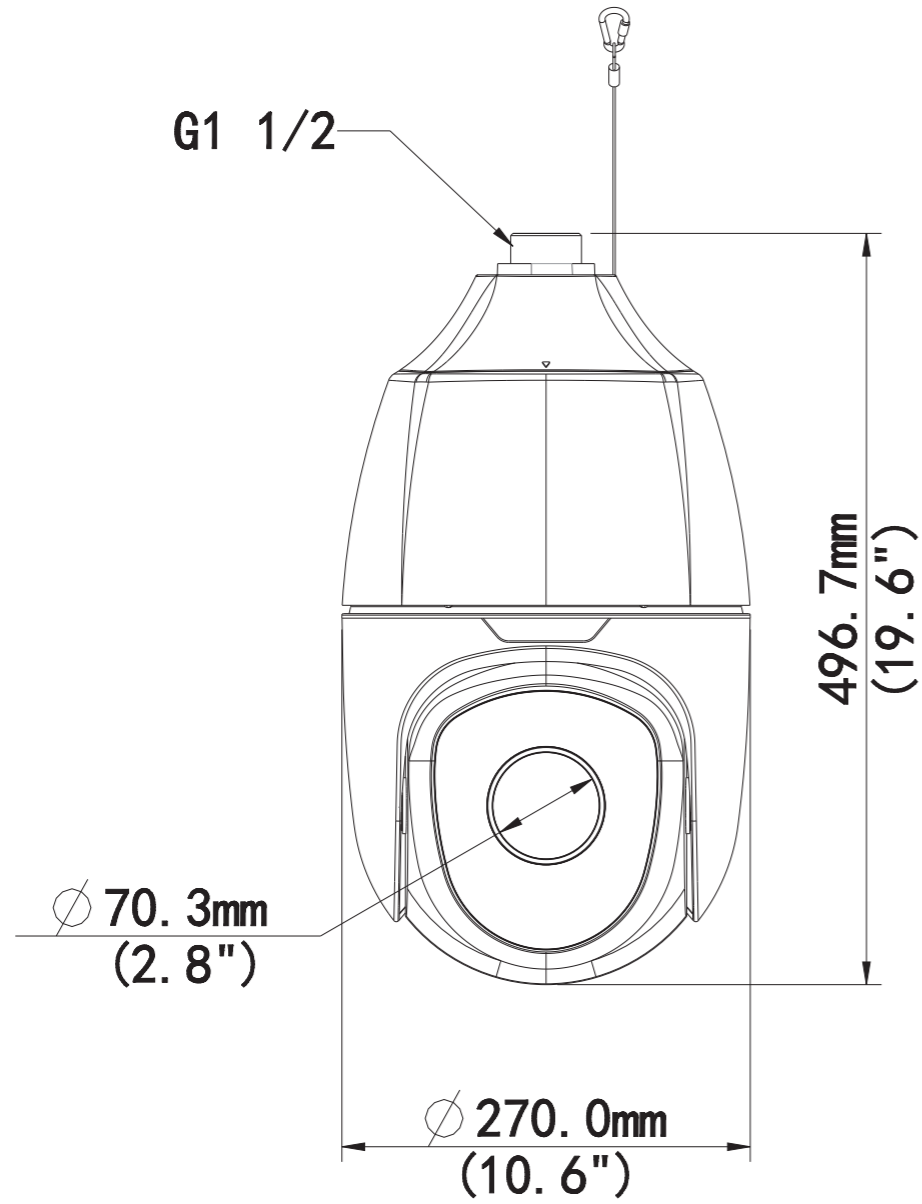


REV	ECO NO.	DESCRIPTION



DRAW:		DATE:	UNIT'S:	MM	DWG NO.:	
CHKD:		DATE:	FINISH:		PART NO.:	
STAD:		DATE:	MASS(Kg):	REVISION:		0
APPD:		DATE:	SCALE:	1:5	REV	
PRODUCT:		SHEET:	OF	MAT'L:		8

RELEASE LEVEL:  
FILE NAME: