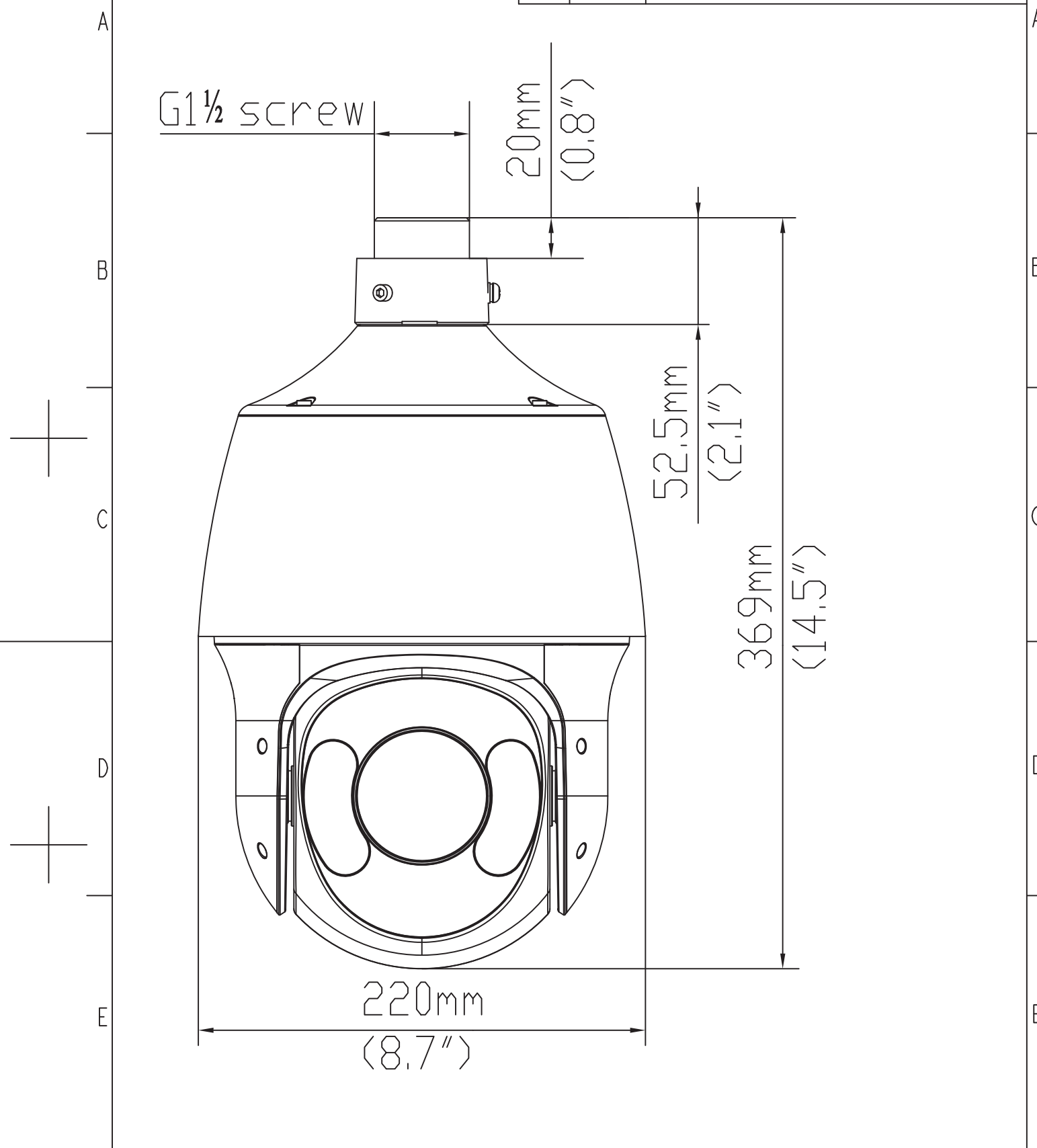


REV	ECO NO.	DESCRIPTION



A4	F		TITLE:					
			DRAW:	DATE:	UNIT'S:	DWG NO.:		
			CHKD:	DATE:	FINISH:	PART NO.:		REV
			STAD:	DATE:	MASS(Kg):			
			APPD:	DATE:	SCALE:			
PRODUCT:			SHEET:	MAT'L:				