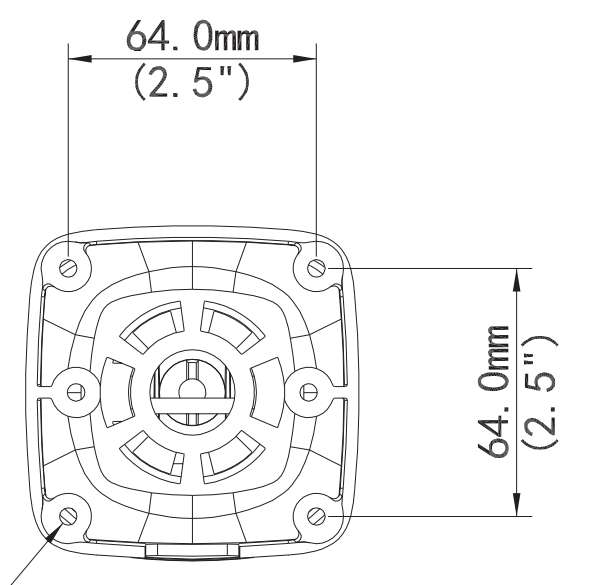
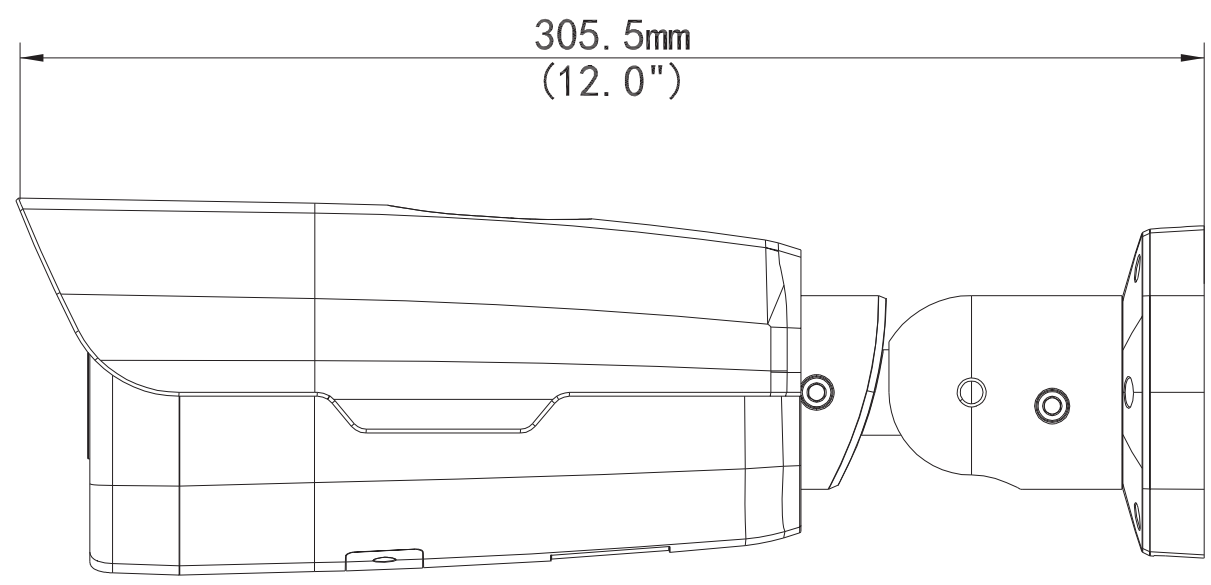
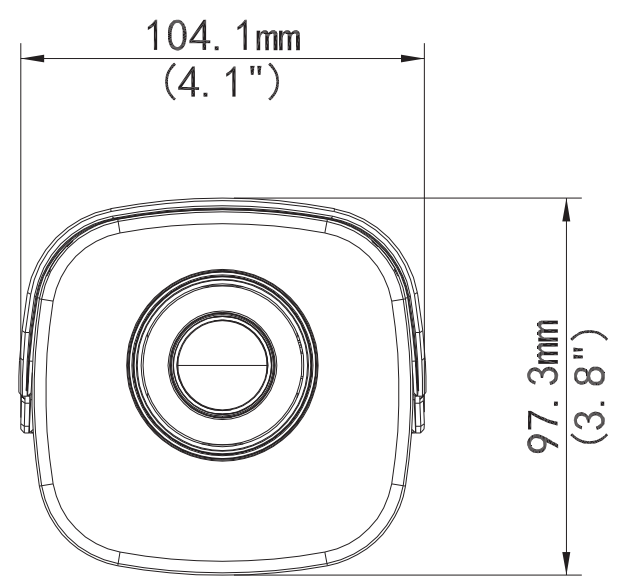
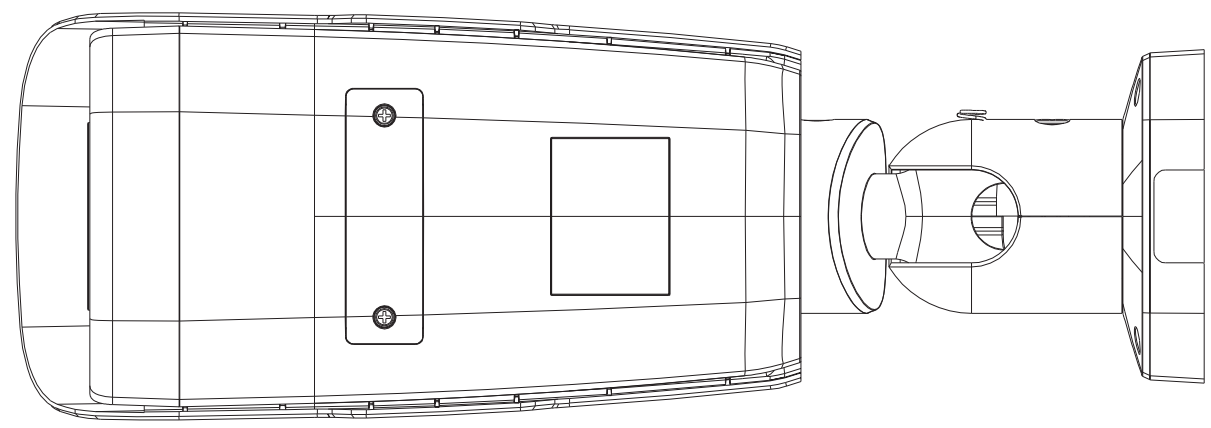


REV	ECO NO.	DESCRIPTION



4* \varnothing 4.5mm
(0.18")



	DRAW: Your Name		DATE: 06-17-15	UNIT'S: MM	DWG NO.:
	CHKD: Check Name		DATE: 06-17-15	FINISH: A000	* PART NO.:
	STAD: Stad Name		DATE: 06-17-15	MAS 5405886.095	
	APPD: Appd Name		DATE: 06-17-15	SCALE: 1:2	0
	PRODUCT: Product Name			SHEET: 1 OF 1	MAT'L: Material