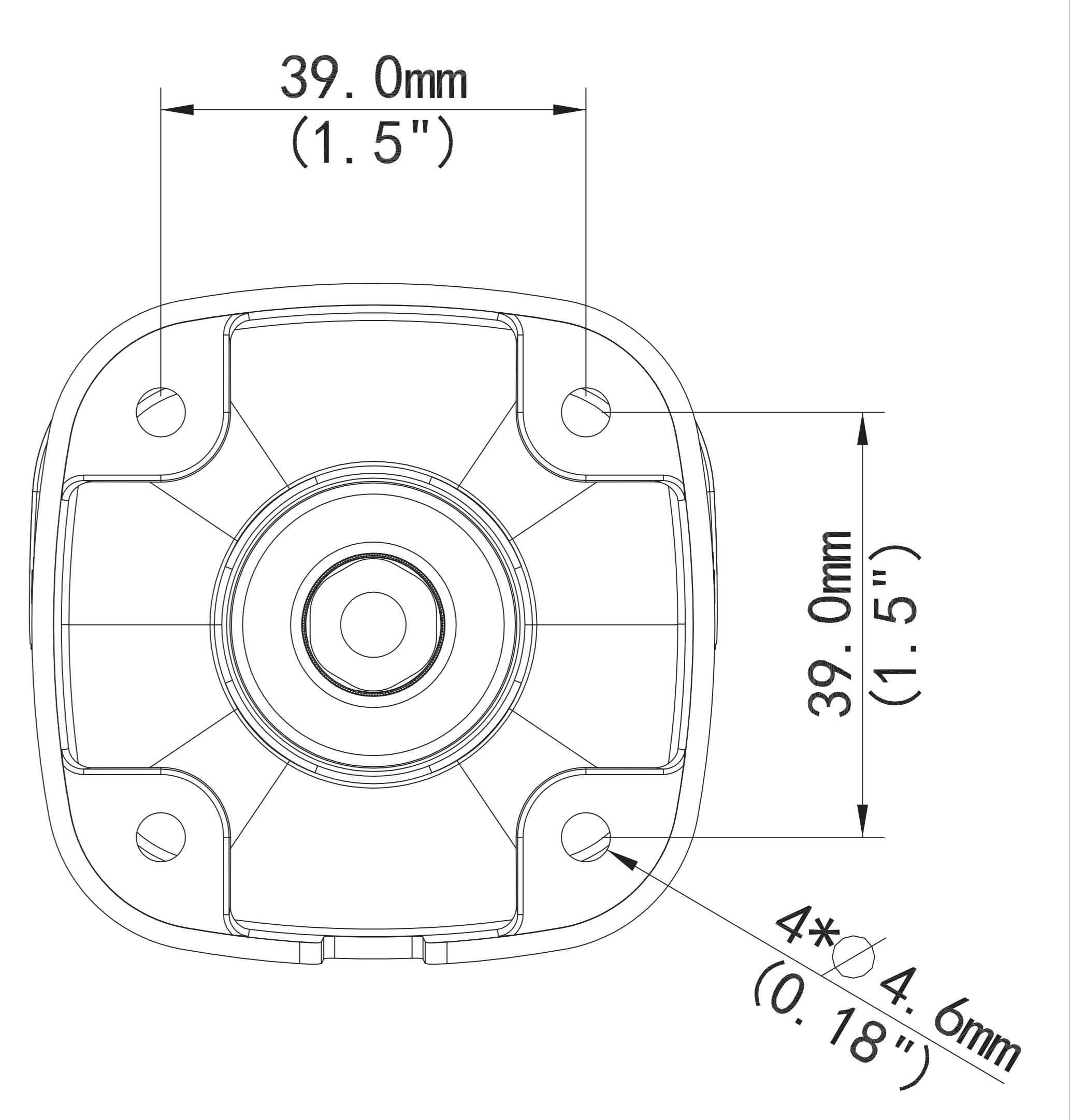
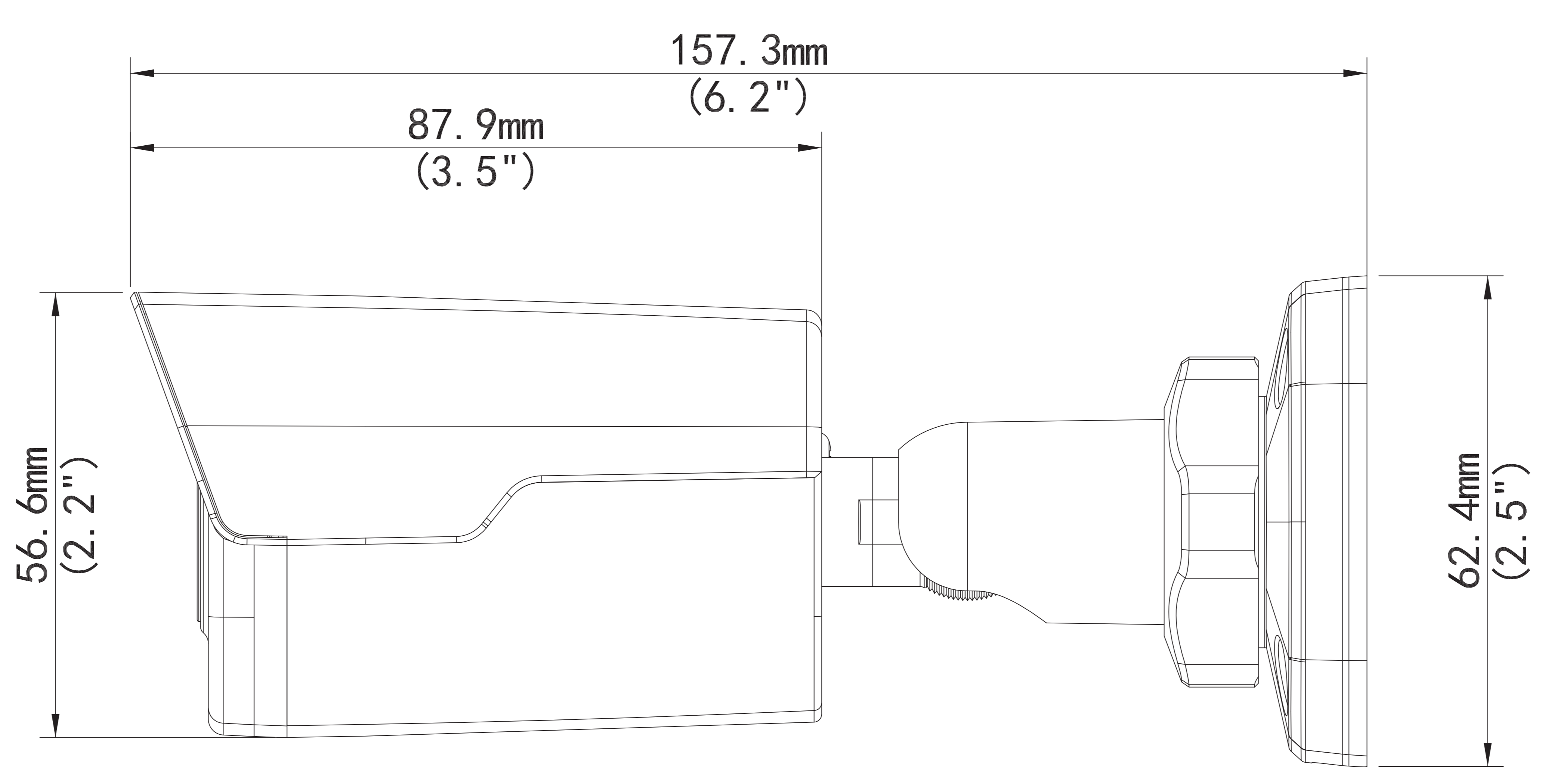
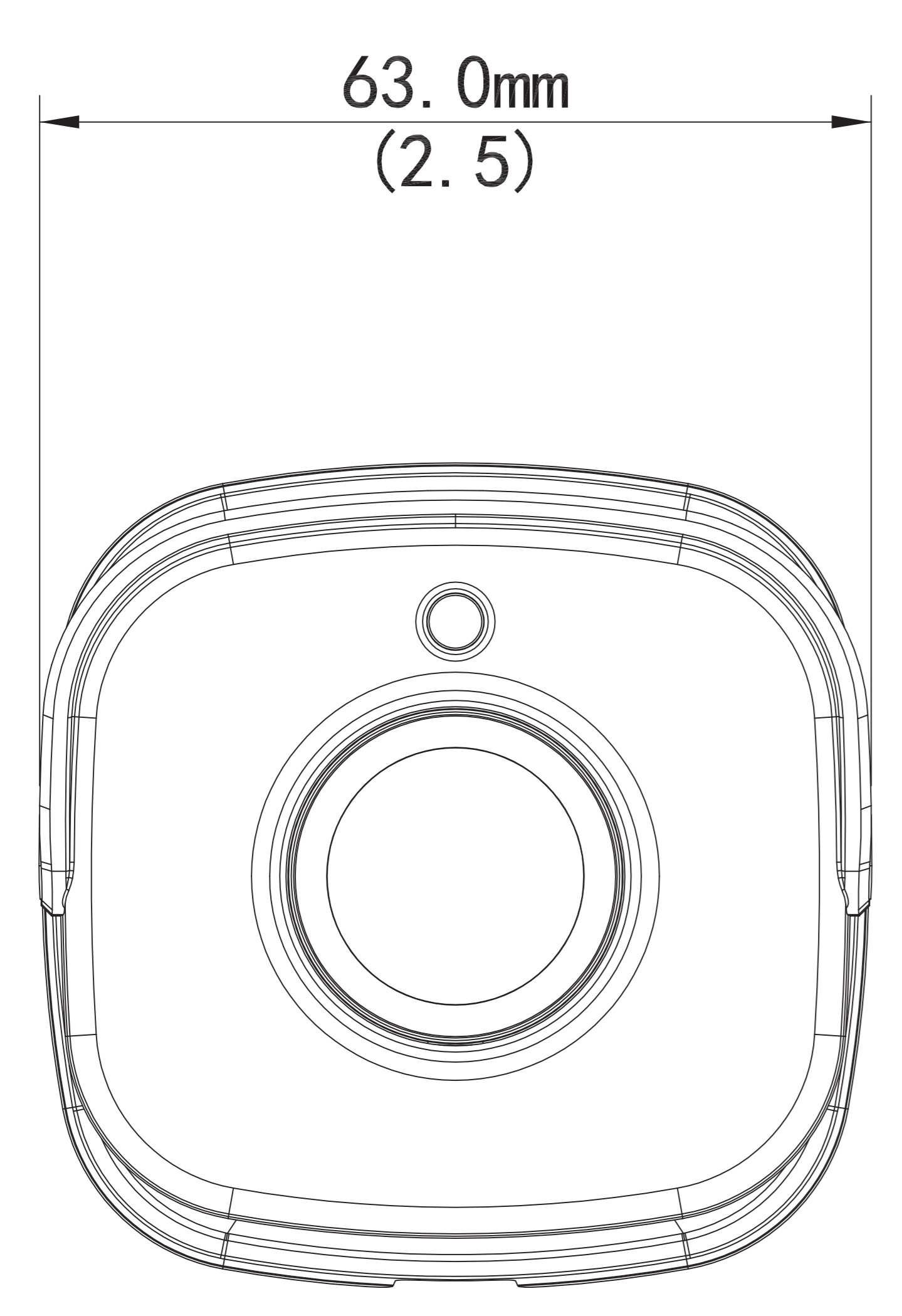


| REV | ECO NO. | DESCRIPTION |
|-----|---------|-------------|
| | | |
| | | |



| | | | | |
|----------|--|-------|--------------|-----------------|
| DRAW: | | DATE: | UNIT'S: MM | DWG NO.: |
| CHKD: | | DATE: | FINISH: A000 | * |
| STAD: | | DATE: | MASS(Kg): | PART NO.: |
| APPD: | | DATE: | SCALE: 1:1 | REV: 0 |
| PRODUCT: | | | SHEET: OF | MAT'L: Material |