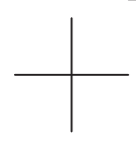
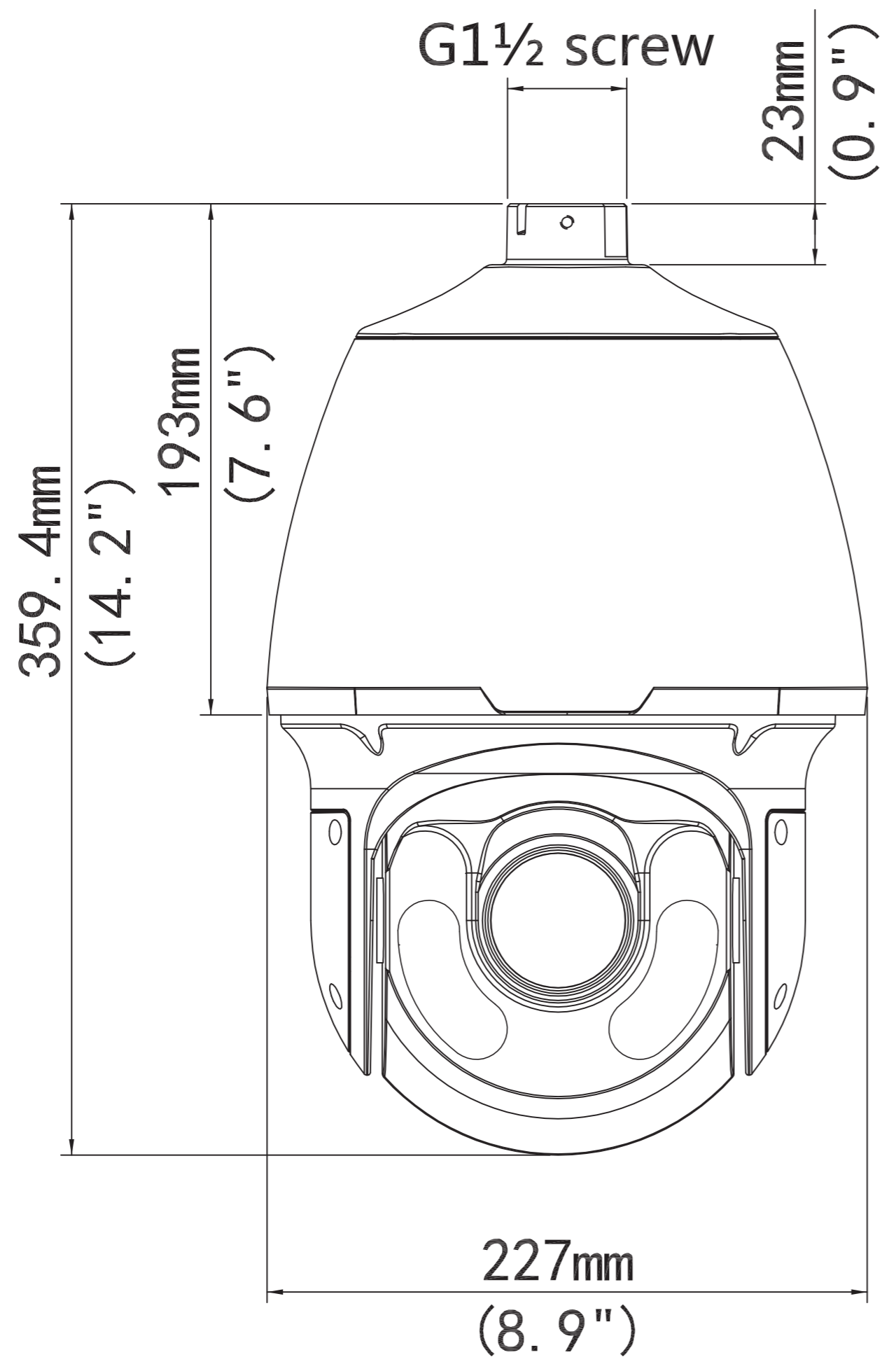


REV	ECO NO.	DESCRIPTION



RELEASE LEVEL: []
FILE NAME:

±0.2		TITLE:			
±0.10					
±0.050	±0.5	DRAW:	DATE: 04-28-00	UNIT'S: MM	DWG NO.:
		CHKD:	DATE: 04-28-00	FINISH: A000	
		STAD:	DATE: 04-28-00	MASS(Kg): 0.000	PART NO.:
		APPD:	DATE: 04-28-00	SCALE: 1:2	REV
		PRODUCT:		SHEET: OF	MAT'L: See Notes